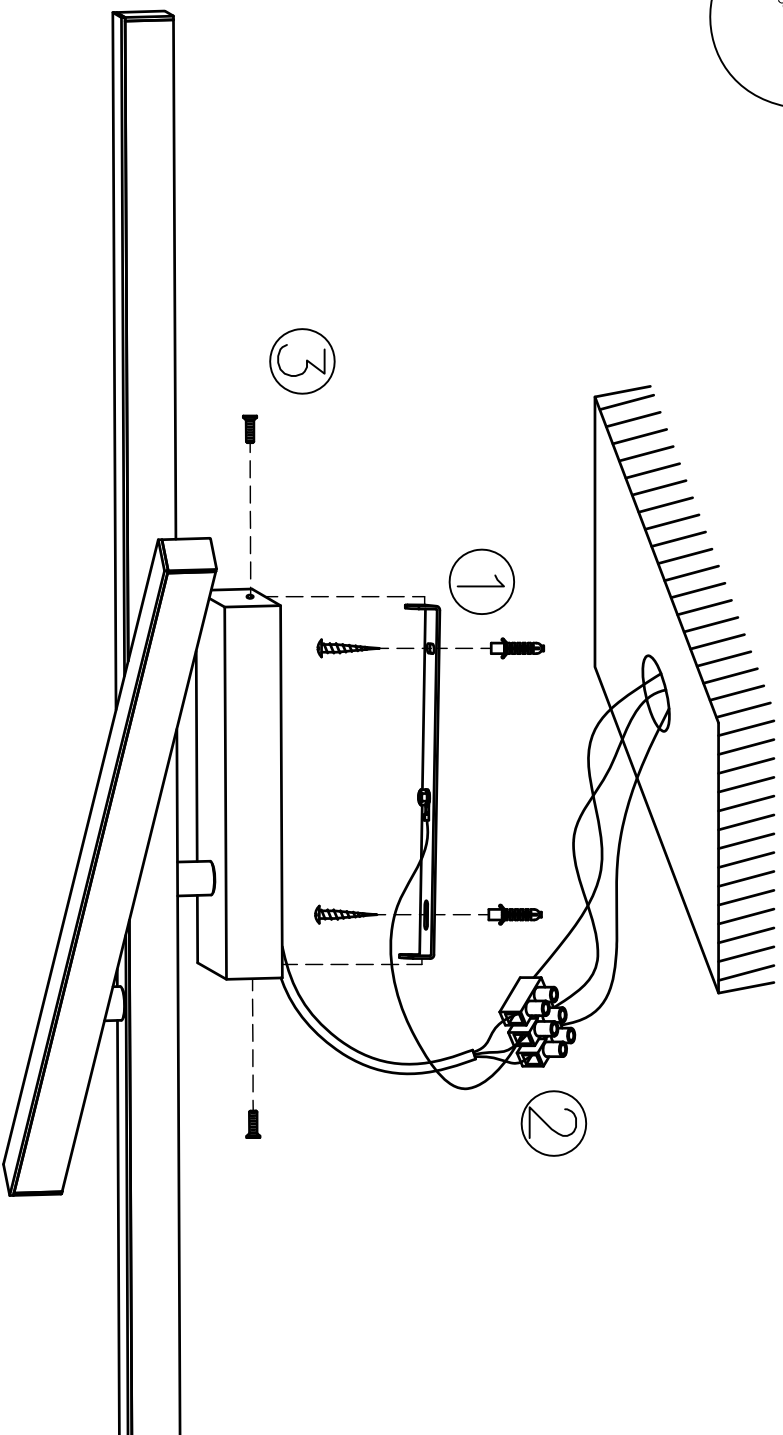
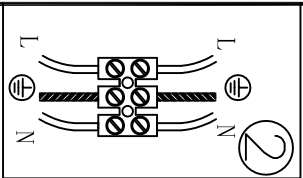
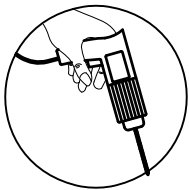
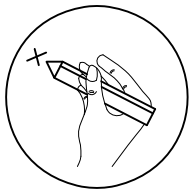


Instruction for Installation



LWA00120100B